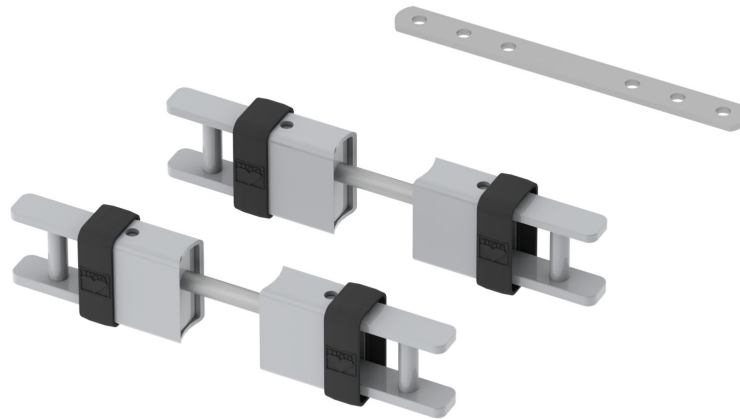


FITTINGS SET FOR CONNECTING LINEAR PRODUCT-DETAIL.MODEL-2045.001



STANDARD VERSION

valid for complete 2000 series

BENEFITS/SPECIALS



Can be retrofitted at any time

Our range of materials and colors can be found in the A2S material overview.



Management
Systeme
ISO 14001:2015
ISO 9001:2015
www.a2s.com
© 2018/2019



A2S-Furnishing Systems Ltd.
ASS-Einrichtungssysteme GmbH
info@ass.de
WWW.A2S.COM