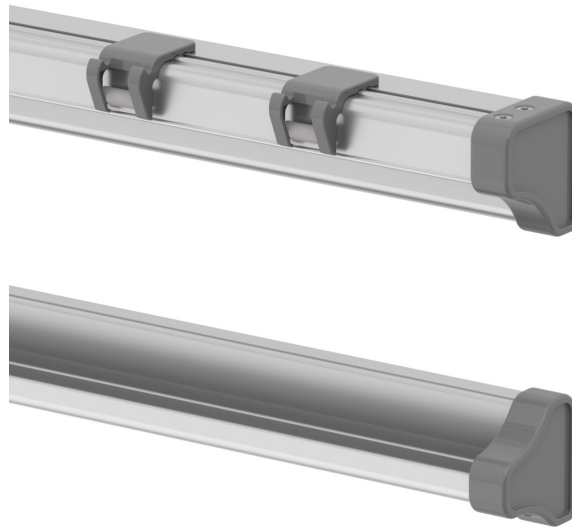


# PANEL PROFILE MULTIFUNCTIONAL SLIDING PANEL SYSTEM

PRODUCT-DETAIL.MODEL-6872



## STANDARD VERSION

Panel profile consisting of upper and lower guide rails for adjusting and easily removing the multifunctional sliding panels. Profile ends with plastic caps. Includes 2 non-detachable picture clips with integrated gallery hooks per running meter. Maximum length 480 cm.

## BENEFITS/SPECIALS



Invisible rail fastening compensates for wall unevenness



Plastic caps prevent accidental ejection

Our range of materials and colors can be found in the A2S material overview.



A2S-Furnishing Systems Ltd.  
ASS-Einrichtungssysteme GmbH  
info@ass.de  
WWW.A2S.COM