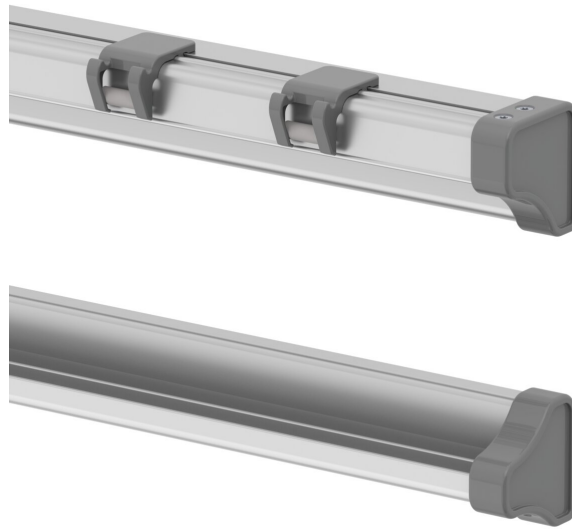


PANEL PROFILE MULTIFUNCTIONAL SLIDING PANEL SYSTEM

MODEL 6872



STANDARD VERSION

Panel profile consisting of upper and lower guide rails for adjusting and easily removing the multifunctional sliding panels. Profile ends with plastic caps. Includes 2 non-detachable picture clips with integrated gallery hooks per running meter. Maximum length 480 cm.

OPTIONS

BENEFITS/SPECIALS



Invisible rail fastening compensates for wall unevenness



Plastic caps prevent accidental ejection

Our range of materials and colors can be found in the A2S material overview.



A2S-Furnishing Systems Ltd.
ASS-Einrichtungssysteme GmbH
info@a2s.com
WWW.A2S.COM